

WOLF LOOMS HIGH CASTLE TRAY

ASSEMBLY INSTRUCTIONS



High Castle Tray for all Wolf Looms



Find out more at schachtspindle.com
Schacht Spindle Company 6101 Ben Place Boulder, CO 80301
p. 303.442.3212 f. 303.447.9273

© 2016 Schacht Spindle Company, Inc.

WOLF LOOMS HIGH CASTLE TRAY

ASSEMBLY INSTRUCTIONS

PARTS

- 2 – Castle extensions
- 2 – High castle cross supports
- 1 – Tray
- 4 – #8 x 1" truss head wood screws
- 8 – #8 x 1½" truss head wood screws

TOOLS

- Phillips screwdriver
- Drill and 1/8" drill bit

ASSEMBLY

If your loom does not have holes on the castle sides, you will need to drill holes for the high castle tray. If your loom already has holes, skip ahead to step 4.

1. To mark the positions of the holes you need to drill, hold one of the castle extensions firmly in place on top of one of the castle sides (figure 1). Make sure that the castle extension is flush with the edges of the castle side. Insert two 1" wood screws into the holes in the castle extensions and tap them lightly with a hammer to dimple the wood of the castle side, marking their placement.

2. Using a 1/8" diameter drill bit, drill 5/8" deep holes using the dimples as a guide. It is very important to drill these holes accurately and level.

3. Mark and then drill the remaining castle side in the same manner as the first.

4. Attach the castle extensions to the castle sides with the 1" wood screws.

5. Orient the high castle cross supports with the small ledge on the bottom inside. Attach the high castle cross supports (front and back) to the castle extensions with the 1½" wood screws.

6. Place the tray between the cross supports, resting on the ledges. ■

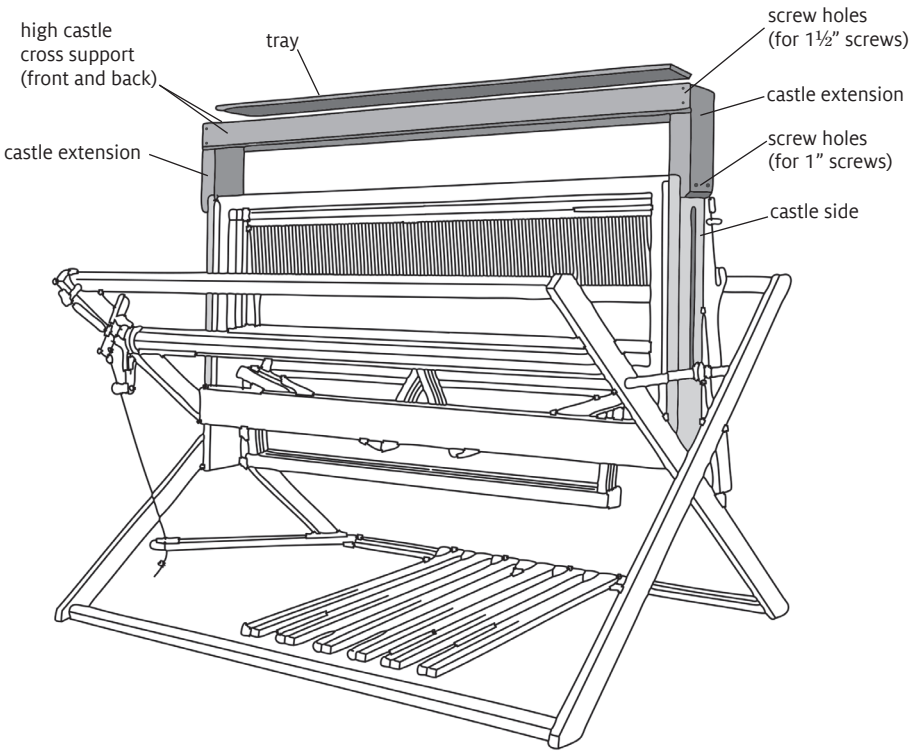


FIGURE 1
(High Castle Tray on a Wolf Loom)

OTHER WEAVING ACCESSORIES



Double Back Beam (shown on 8-shaft Baby Wolf)



Wolf Trap



Height Extender with Strollers



Wolf Loom Raddle



Sectional Beam